

Balance Indoor Air Quality With Beautiful Outdoor Aesthetics



Let Homes Breathe

Beautiful Exteriors

Tighter construction envelopes require systems that allow your home to breathe. Providing proper access for ERV, HRV, fresh air, and make-up air systems is critical for indoor air quality. Now there is a way to open up your building without compromising exterior beauty.

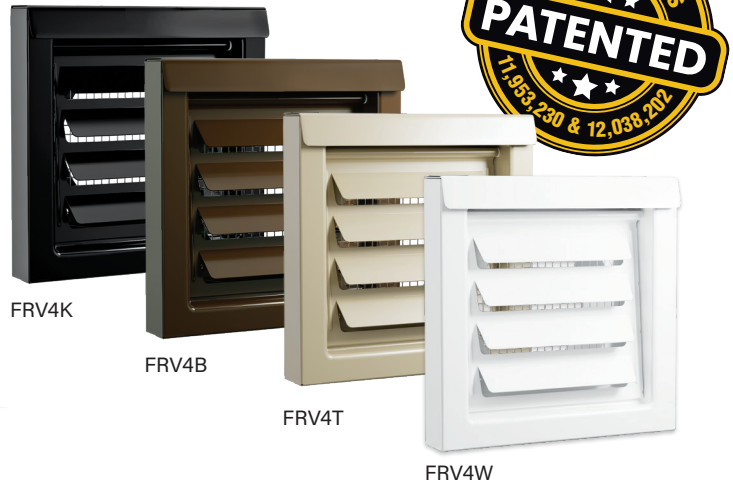
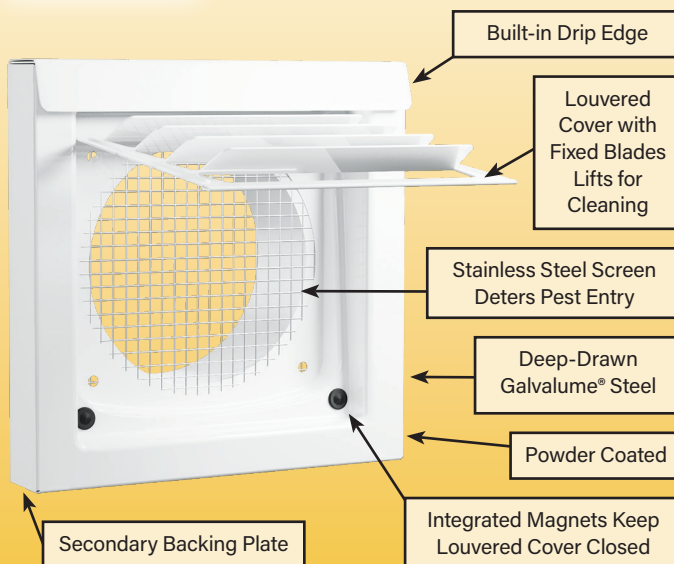
Sleek, Low Profile—Built Tough

Select the FreshVent™—designed and manufactured in the USA—for sleek lines, a low profile, and a consistently elegant appearance for your home.

Built tough from heavy gauge Galvalume® steel, its durable powder coating is cured to perfection, producing a polished finish that stands up to the elements.



Made in the USA



The FreshVent is available in black, brown, tan, white, and custom RAL colors for larger projects, *just like* the DryerWallVent and Premium WallVent from InOvate®.

Consistent Excellence

Teaming the FreshVent with the InOvate Premium WallVent and the DryerWallVent allows you to keep a consistent ultra-high quality look for every vent termination.



Visit FreshVent.com today to learn more about the InOvate advantage.

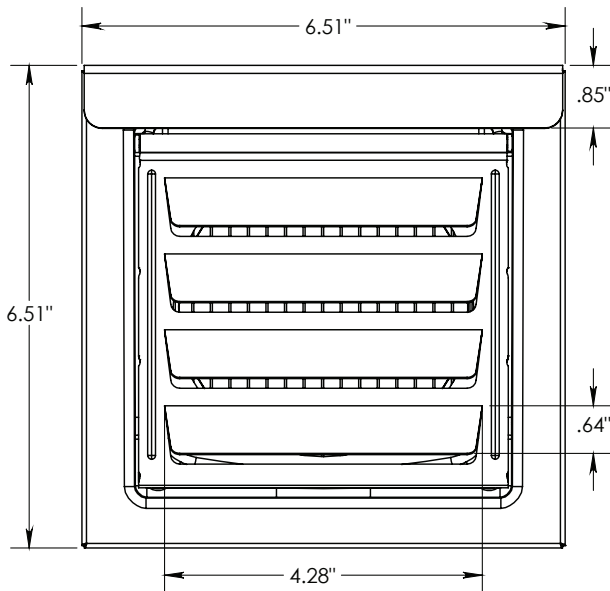


888-443-7937

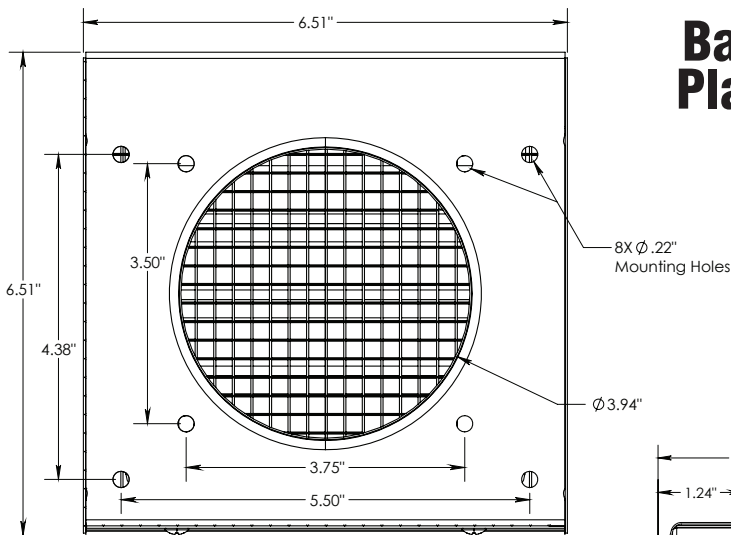
250 South Central Boulevard • Suite 207 • Jupiter FL 33458-8812 • Fax: 561-745-9723

*The Dryerbox®
People*

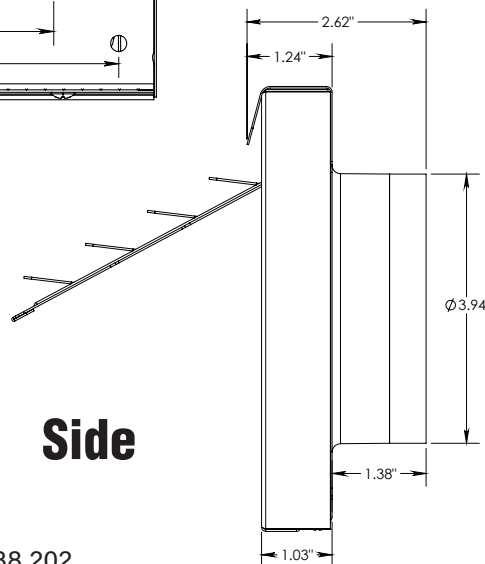
FreshVent.com



Front



Back Plate



Side

Model Number	Color
FRV4W	White
FRV4T	Tan
FRV4B	Brown
FRV4K	Black

Performance Data

Product Use:

- Intake Air Solution to Allow Fresh Air Into the Home to Help Improve Indoor Air Quality
- Complies w/ 2021 IMC Section 403.3 Outdoor Air Ventilation

Materials:

- Heavy Gauge Galvalume® Steel Housing
- Polyester TGIC Weather Resistant Powder Coating

Carton Weight:

FRV4: 12 lbs. (8/carton)

General Information

Benefits:

- Allows Fresh Air Into the Living Space
- Creates a Clean Consistent Exterior Aesthetic
- Installs Easily to Function with HVAC, ERV & HRV Systems and Make-Up Air Units
- Complies with Code Requirements to Allow Fresh Air Into an Airtight, or Tight, Home
- Installs Easily in New and Existing Construction
- Sleek, Clean Lines Blend In or Stand Out as an Accent

Features:

- Tough, Durable Quality
- Deep Drawn Manufacturing Process
- Galvalume® & Powder Coated Steel Construction
- Stainless Steel Screen Helps Keep Wildlife Out
- Built-in Drip Edge Helps to Deter Rain Intrusion
- Collar Easily Connects to Standard 4-Inch Duct
- Integrated Secondary Back Plate with Wider Mounting Holes
- Eight Built-in Mounting Holes
- High Strength N52 Magnets Keep the Louvered Cover in Place
- Louvered Cover Lifts Up For Ease in Cleaning
- Stocked in 4 Colors: White, Tan, Brown and Black

Manufactured By

InOvate® Technologies, Inc.
 250 S. Central Blvd. Suite 207
 Jupiter, FL 33458
 Phone: (888) 443-7937
 Fax: (561) 745-9723
<https://freshvent.com>

